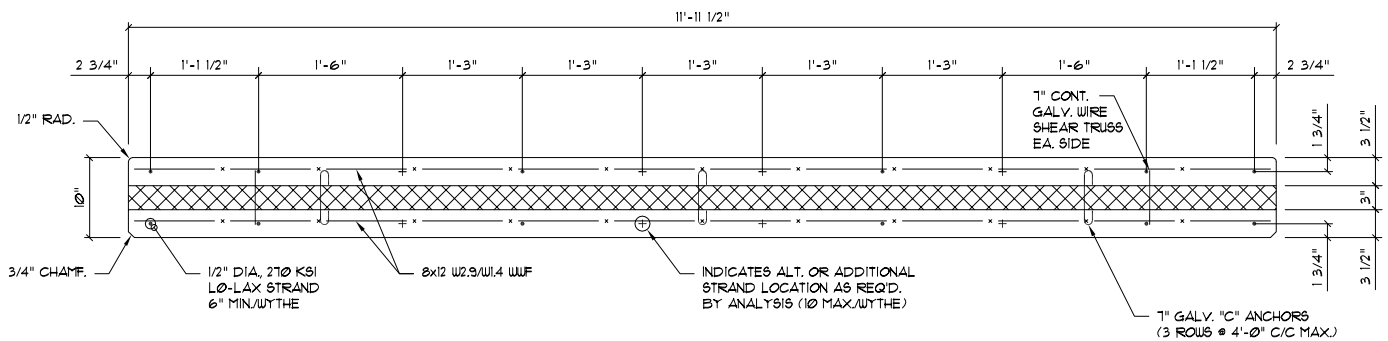


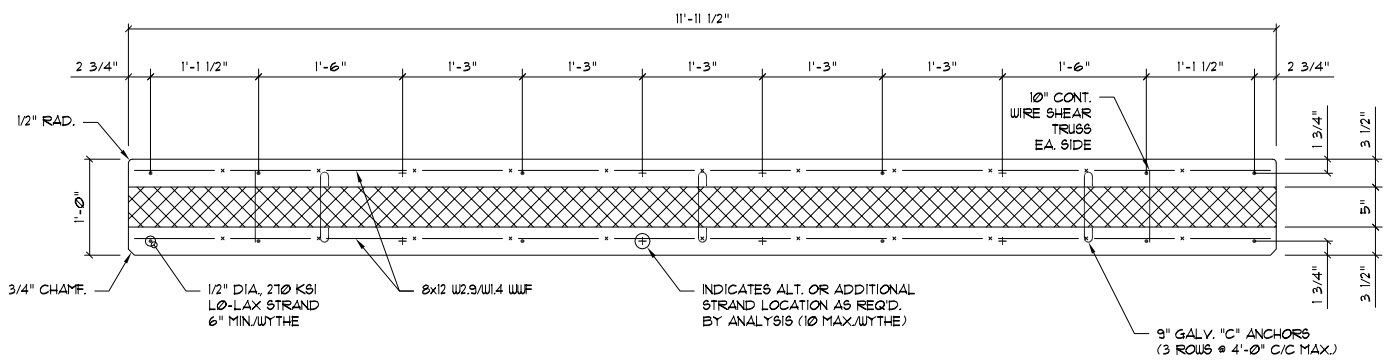
8" SANDWICH PANEL CROSS SECTION

(Standard R value = 8.9)



10" SANDWICH PANEL CROSS SECTION

(Standard R value = 12.8)



12" SANDWICH PANEL CROSS SECTION

(Standard R value = 20.5)